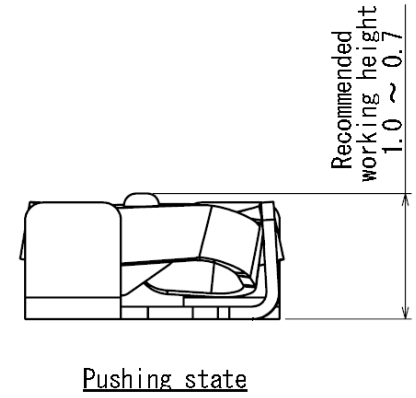
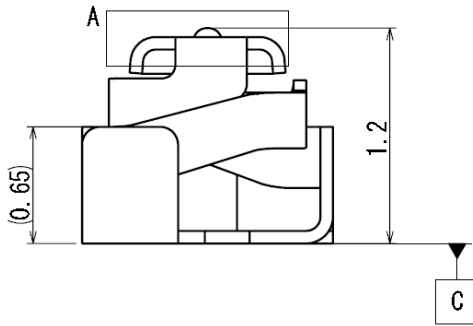


 Pattern area

Recommended P.W. Board layout
 Tolerances unless otherwise specified ± 0.05
 Recommended mask opening rate : 50%.



2. Material
 Contact: Copper Alloy
 Plating: 1. Ni (All underlayer)
 2. Au (Soldering part/Contact part)

Note. 1. The tolerances unless otherwise the specified : ± 0.1

 銓基電子股份有限公司
 ROKI ELECTRONICS CO., LTD.

PART NAME : SHILED CLIP		SCALE :
PART NO : SC-02-PF		UNIT : mm
TOLERANCE : \pm mm		VER : R01